



INSTANTANEOUS AND FUNCTION RELAYS

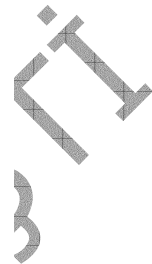
Instantaneous relays 4 contacts / 1401



TEC

1401

- ▶ rear wiring socket with clips 9360
- ▶ rear wiring socket / PCB mounting 9370
- ▶ front wiring socket / screw terminals 9350



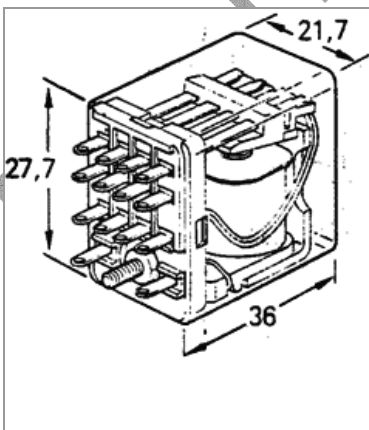
DESCRIPTION

Instantaneous relay - 4 CO contacts.

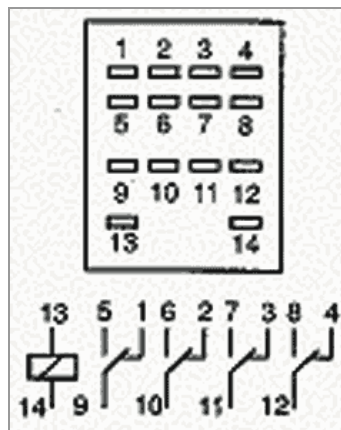
Pluggable on front wiring socket/screw terminals (9350), rear wiring socket with clips(9360) or rear wiring socket/PCB mounting (9370)

Detailed table of coil resistance data is available in the technical support pages of this site or can be sent upon request.

Dimensions



Connection



TECHNICAL FEATURES

Function	instantaneous
Presentation	under cover
Connection	on front or rear wiring socket
Number of mechanical operations	10.000.000
Operating temperature	- 10 to + 55°C
Storage temperature	- 40°C to + 80°C
Climatic protection	reinforced climatic protection
Shock voltage	3 KV wave 1,2/50 microseconds
Dielectric strength	Contact/contact : 1,5 KV - coil/contact : 1,5 KV
Insulation resistance	> 1.000 MOhms (500 VDC new relay)
Weight	40 g.

COIL DATA

	Direct current	Alternative current	
Min. nominal voltage DC	6 V	6 V	
Min. nominal voltage AC	220 V	230 V - 50 or 60 Hz	
Operating range	-20/+10% of nominal voltage		
Power requirement	0,9 W	2 VA	1,6 VA

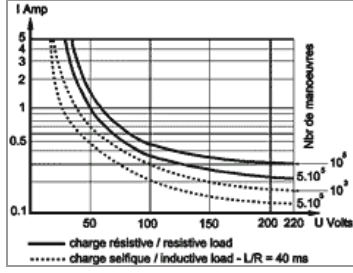
CONTACTS

Number of contacts	4
Contacts material	silver alloy with gold flash
Max. load current	5 A per contact
Low power switching	100 mVA with min voltage 1 V or I min 1 mA
Short-circuit load	100 A / 30 ms
Response time	DC < 15 ms - AC < 15 ms
Bounce time	< 6 ms

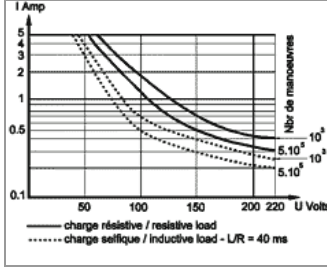
CONTACTS RATING

DIRECT CURRENT

connection on DC

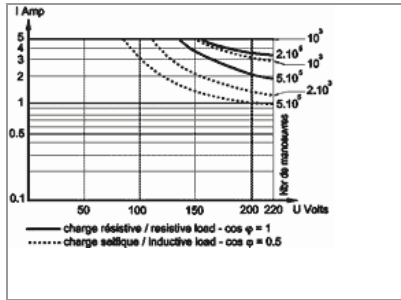


connection on DC - 2 RT



ALTERNATIVE CURRENT

connection on AC



VERSIONS

Many possibilities of contacts position in AC or DC.

1401 relay can also be manufactured with or without test push-button, LED or ears cover.

Contact us

**İmaj Teknik Elektrik Elektronik San. ve Tic. Ltd. Şti.**
EMEKYEMEZ MAH.TUTSAK SOK. NO: 16/13-14-15
KARAKOY/İSTANBUL
TURKEY
Telefon : +90 212 235 9535 / 36 www.imajteknik.com
Fax : +90 212 235 9537 www.imajteknik.com.tr